

Datasheet

SDD PTM7006 Press Trim Module for Canon varioPRINT & imagePRESS Printers



www.sddbv.com
info@sddbv.com



We build your
Print Finishing Solutions

PTM7006 System

Extremely flexible Easy to use also near line



Direct link to
Canon



Stitched & Folded



Pressed & Front Trimmed

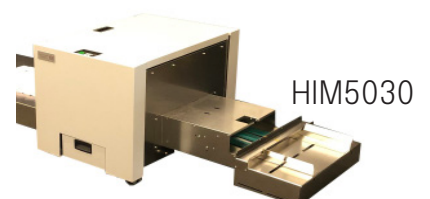


Full Bleed & Square Folded



Key Benefits

- Extremely compact system
- Modular system for customised solutions
- Patented Colour Fold Module to optimise handling of colour and coated media
- Automatic switching between two jobs (for example A3 to A4 jobs)
- Dynamic system: switching between booklet sizes and thicknesses requires no operator intervention
- Simple connection/installation behind the printer
- Adjustable trim size
- Durable knives / Patented technologies
- Optional: Professional 'top and bottom' trimming precisely trims the booklet from the both sides at once
- Optional: SquareFolding Module SFM7004 to create a square spine booklet
- Optional: Hand Infeed Module HIM5030 to feed booklets by hand into the system
- Optional: Conveyor Belt Stacker CBS6060 60cm long (this is the most common stacker to be sold)
- Optional: Conveyor Belt Stacker CBS6150 150cm long



Efficiency & Quality

The SDD PTM7006 Press Trim Module is a **face trimmer** which trims the long edge of a booklet. Also, the system flattens the booklet by applying pressure to the spine. Finished booklets will have a superior, professional appearance and, as they lie flat, booklets are much easier to pack, stack and distribute.

Full colour brochures, manuals, policy documents and reports, for example, can be quickly printed and finished in one streamlined operation without the need for additional handling or finishing steps.

TWO IMPORTANT OPTIONS TO CANON PRINTERS ENHANCE BOOKLET QUALITY EVEN FURTHER:

1: SDD 2ST7010 Professional 2-Side Trimmer

The SDD 2ST7010 2-Side Trimmer is a cost effective **full-bleed solution** for Canon imagePRESS Series production printers. The 2ST7010 works online with production printers to create a complete printing and booklet making system that is ideal for a wide range of on-demand applications.

2: SDD SFM7004 Square Fold Module

The SDD SFM7004 Square Fold Module is used in combination with the SDD PTM7006 Press Trim Module or with the 2ST7010 2-Side Trimmer. The SFM7004 Square Fold Module produces a booklet with a completely **square spine**. Then it is possible to reproduce a professional magazine or book-like finish, which considerably enhances the booklet appearance and adds more versatility to booklet making.

Key Benefits

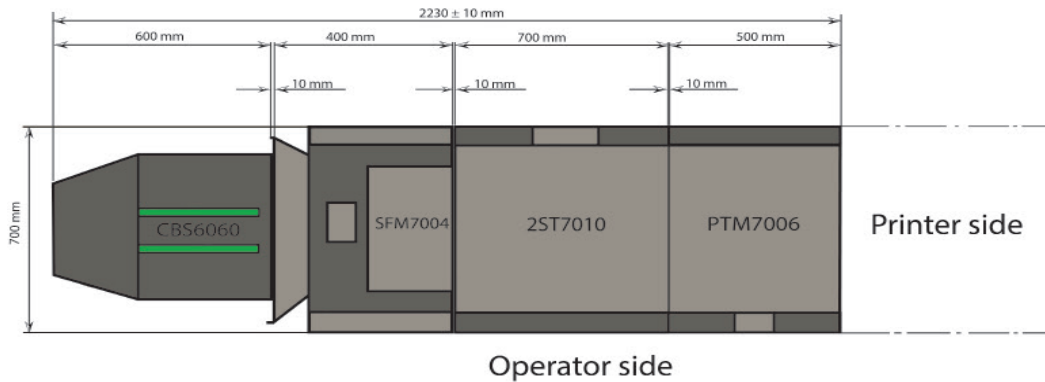
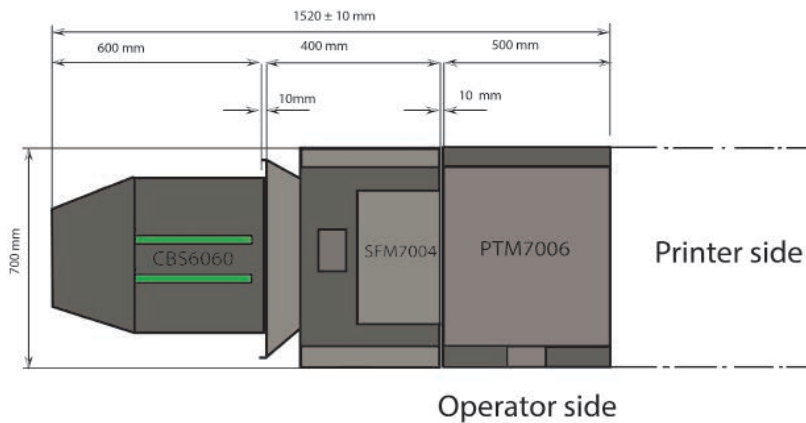
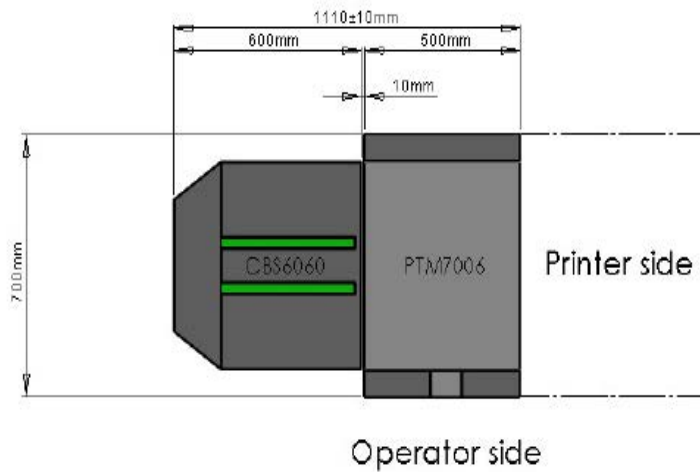
- Professional 'top and bottom' trimming precisely trims the booklet from both sides in one operation
- 2 x 3 knives for a perfect spine trimming result
- Ensures that no paper snippet is left on the booklet spine
- Produces professional-looking and high quality booklets
- Touchscreen graphical user interface for simpler set up and operating
- Modular knife exchange and easy to maintain

Key Benefits

- Simple to operate
- Produces perfectly flat booklets
- Results in a booklet with a square spine
- Printing on the spine is possible
- 4 modes and bypass



Floorplan



The PTM system requires 400 mm of additional floor space at the front and rear side of the machine for installation, operation and maintenance.



Physical Characteristics

	Length (mm)	Width (mm)	Height (mm)	Weight (kg)
HIM5030	600	600	240	2
Packed (box)	600	300	190	4
PTM7006	500	700	520	85
Packed (pallet)	1200	800	850	120
2ST7010	700	700	515	130
Packed (pallet)	1200	800	720	210
SFM0704	450	620	450	38
Packed (pallet)	600	800	760	65
CBS6060 (60cm)	600	600	250	7
Packed (box)	550	700	190	8
CBS6150 (150cm)	1500	600	250	13
Packed (box)	1450	650	200	20



Module Configurations

- PTM7006 Press Trim module
- 2ST7010 2-Side Trimmer module
- SFM7004 SquareFold module
- CBS6060 Conveyor Belt Stacker 60cm
(this is the most common stacker to be sold)
- CBS6150 Conveyor Belt Stacker 150cm
(option instead of CBS6060)
- HIM5030 Hand Infeed module
(option)



Basic
PTM7006
CBS6060 or CBS6150



Intermediate
PTM7006
2ST7010
CBS6060 or CBS6150

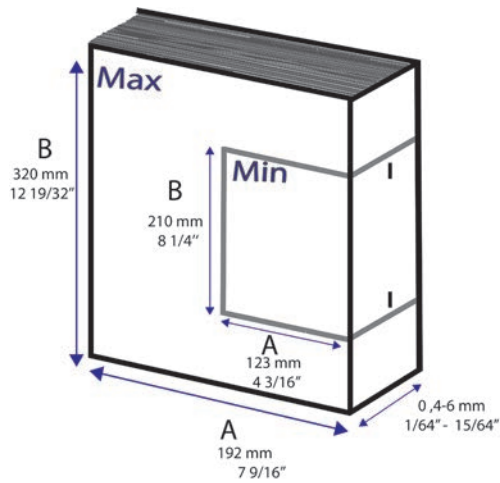


Intermediate
PTM7006
SFM7004
CBS6060 or CBS6150

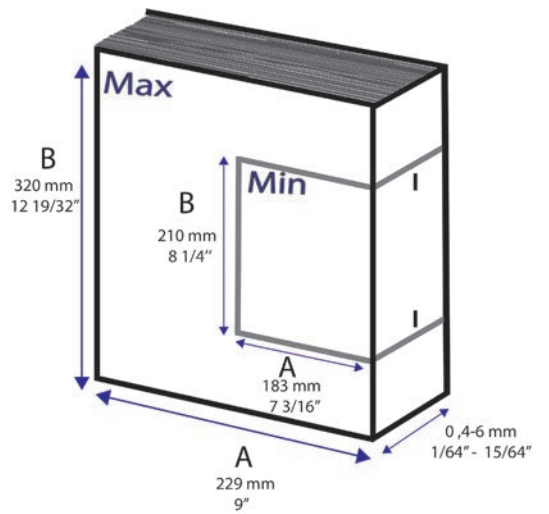
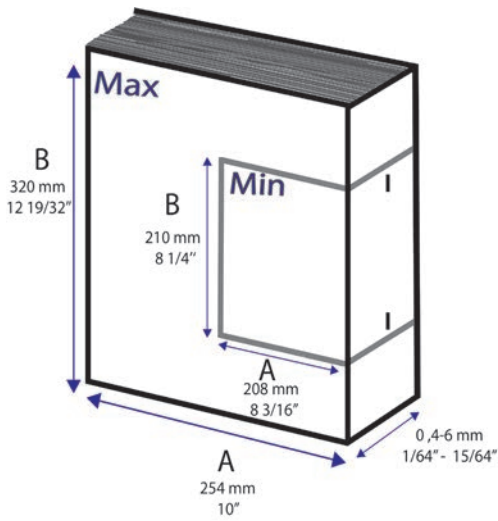
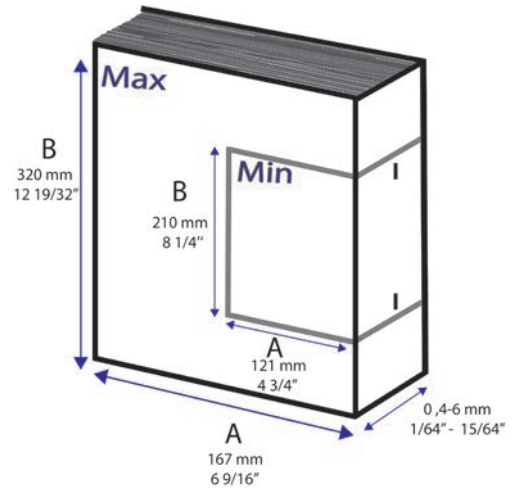


Full configuration
PTM7006
2ST7010
SFM7004
CBS6060 or CBS6150

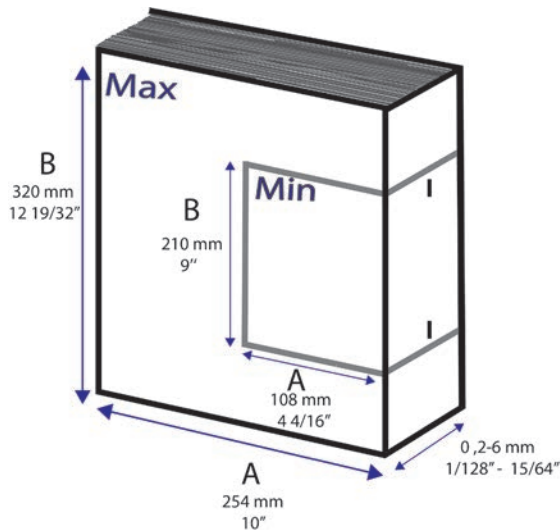
Input Booklet range



Output Booklet range



Bypass



Obtain the look and feel of first class booklets!



General Information

System works from right to left

Paper input height approximately: 180mm +/-10mm

Input

Canon imagePRESS series: V910 and V1000 equipped with the Canon Booklet Finisher

Canon varioPRINT 140 series QUARTZ Printers equipped with the Canon Booklet Finisher

HIM5030 Hand Infeed Module

Output

SDD 2ST7010 2-Side Trimmer

SDD SFM7004 SquareFold Module

SDD CBS6060 Conveyor Belt Stacker (60 cm) this is the most common stacker to be sold

SDD CBS6150 Conveyor Belt Stacker (150 cm) optional



PTM7006 & SFM7004

SquareFold booklet gives a perfectly flat finish with a square spine.

By printing on the spine it is possible to reproduce a professional magazine or book-like finish, which considerably enhances the booklet appearance.



The combination of 2-Side Trimmer and SquareFold Module makes it possible to produce professional-looking, full-bleed, booklets with a square spine. With these two options it is possible to obtain the look and feel of first class booklets! Booklets are perfectly finished: totally flat with a square spine.

By printing on the spine it is possible to reproduce a professional magazine or book-like finish, which considerably enhances the booklet appearance and adds more versatility to booklet making.

Specially designed for high reliability and long production runs.

The Press Trim Module is a system which accepts and trims a booklet with a maximum thickness of 6 mm (approximately booklet of 30 sheets 80 g/m² A3 paper, depending upon paper quality).



Technical Specifications

Input Booklet size

Booklet wide range 1 EU	123 mm x 192 mm
Booklet wide range 1 US	108 mm x 177 mm
Booklet wide range 2	208 mm x 254 mm
Booklet wide Bypass	108 mm x 254 mm
Booklet thickness	up to 30 sheets 80 g/m ²

Output Booklet size

Booklet wide range 1 EU	121 mm x 167 mm
Booklet wide range 1 US	106 mm x 152 mm
Booklet wide range 2	183 mm x 229 mm
Booklet wide Bypass	N.A.
Booklet thickness	up to 30 sheets 80 g/m ²

Maximum paper thickness	300 g/m ²
Minimum paper thickness	60 g/m ² 80 g/m ² (1 sheet)
Bypass	up to 30 sheets 80 g/m ²
Press / Trim capacity:	2 up to 30 sheets 80 g/m ² A3 paper 2 up to 25 sheets 80 g/m ² SRA3 paper
Face Trimming	Adjustable from 2 mm up to 25 mm (10 mm is standard)
Side Trimming	Side trimming 2 mm to 51 mm from top and from bottom side from the booklets
SquareFold module	4 modes including bypass
Conveyor Belt Stacker	CBS6060 60 cm (this is the most common stacker to be sold)
Conveyor Belt Stacker	CBS6150 150 cm (optional)
Productivity	up to 600 booklets per hour (printer speed dependent)
System dimensions	2230 mm complete with short Conveyor Belt Stacker 1100 mm smallest configuration
Power	<0,4 KW (Max.)
Noise level	≤70dB

In combination with Canon Booklet Finisher and 2ST7010 2-Side Trimmer inline:
smallest booklet format is 140mm x 140mm (printer dependent).



SDD B.V.
Brinkerweg 5
8166 GD Emst
The Netherlands

Tel.: +31 (0)578 662 662

www.sddbv.com
info@sddbv.com
service@sddbv.com

SDD B.V. Print Finishing Solutions.
©March 2023 SDD B.V. Illustrations and specifications do not necessarily apply to the standard version of machines in all local markets. Technical specifications subject to change without prior notice. All products mentioned in this brochure are claimed as trademarks or registered trademarks of their respective companies.

We build your
Print Finishing Solutions