

Datasheet

SDD 2ST7210 2-Side Trimmer & SFM7804 SquareFold for Canon imagePRESS Printers



www.sdbv.com
info@sdbv.com



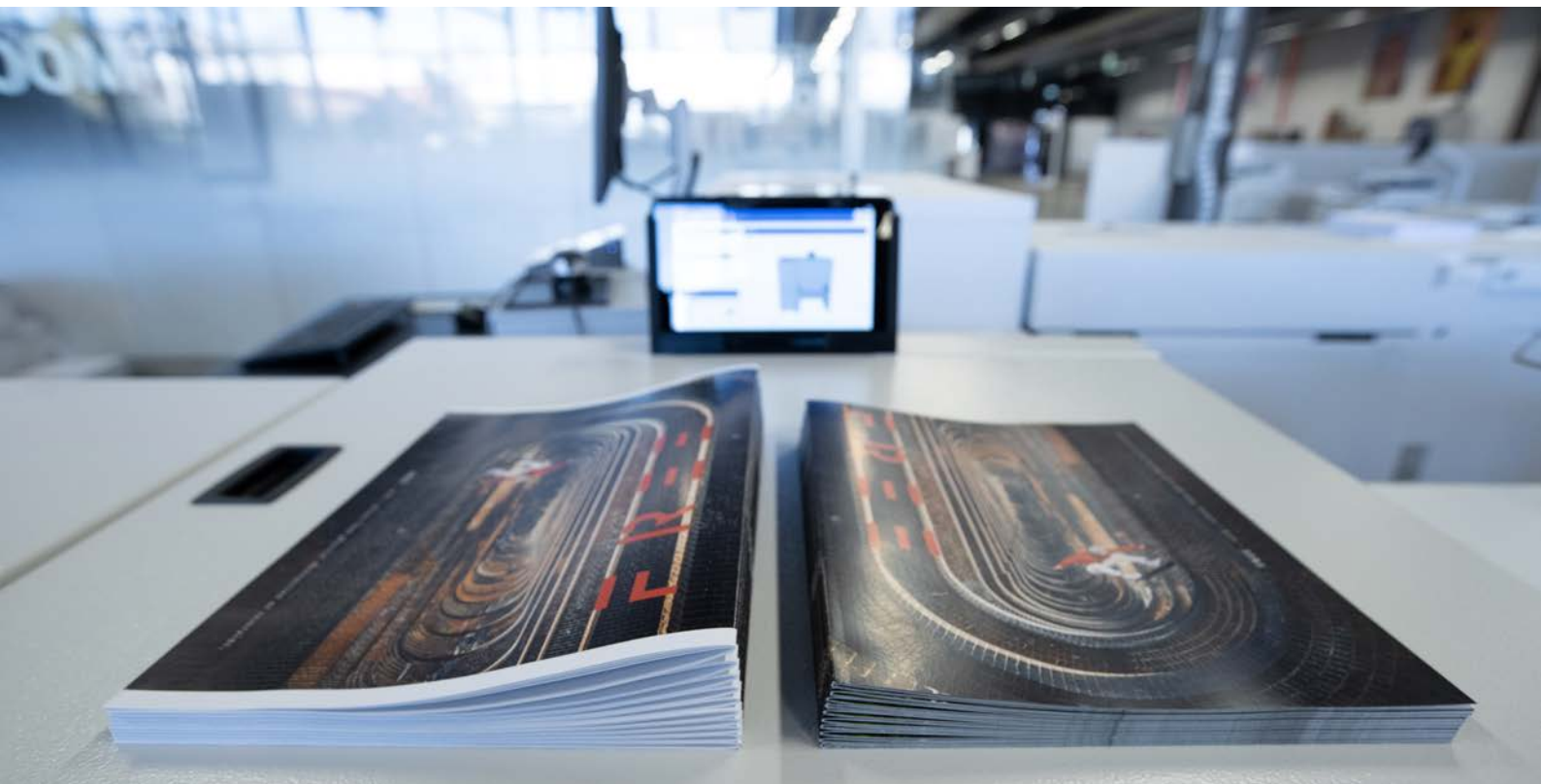
We build your
Print Finishing Solutions

SDD 2ST7210 & SFM7804 'System Thunder'

Extremely flexible
Easy to use, also near line



Direct link to
Canon





Key Benefits

- Compact system
- Professional 'top and bottom' trimming
precisely trims the booklet from both sides at once
- Can produce for example, A5 landscape booklets (148,5 x 210mm), 200mm x 200mm, as well as other very small booklet sizes
- Can trim 102mm in total and produce booklets
- Touch screen remote User Interface for easy set up
- Simple connection/installation behind the printer
- Adjustable trim size
- Durable knives / Patented technologies
- Low noise level
- SquareFolding Module SFM7804 creates a square spine booklet
- Option: Hand Infeed Module HIM5030 to feed booklets by hand into the system (offline use)
- Option: Conveyor Belt Stacker CBS6150 150cm long



Efficiency & Quality

The SDD 2ST7210 2-Side Trimmer and SFM7804 SquareFold combine to make 'System Thunder'. The 2-Side Trimmer trims the top and bottom of a booklet. Finished booklets will have a superior, professional appearance and, as the SquareFold module ensures that they lie flat, booklets are much easier to pack, stack and distribute.

Full colour brochures, manuals, policy documents and reports, for example, can be quickly printed and finished in one streamlined operation without the need for additional handling or finishing steps.

THESE TWO IMPORTANT OPTIONS FOR A CANON PRINTER ENHANCE BOOKLET QUALITY:

1: SDD 2ST7210 Professional 2-Side Trimmer

The SDD 2ST7210 2-Side Trimmer is a cost effective **full-bleed solution** for Canon imagePRESS Series production printers.

The 2ST7210 works online with production printers to create a complete printing and booklet making system that is ideal for a wide range of on-demand applications.

2: SDD SFM7804 Square Fold Module

The SDD SFM7804 Square Fold Module is used in combination with the 2ST7210 2-Side Trimmer. The SFM7804 Square Fold Module produces a booklet with a completely **square spine**. Then it is possible to reproduce a professional magazine or book-like finish, which considerably enhances the booklet appearance and adds more versatility to booklet making.

Key Benefits

Professional 'top and bottom' trimming precisely trims the booklet from both sides in one operation

2 x 3 knives for a perfect spine trimming result

Ensures that no paper snippet is left on the booklet spine

Produces professional-looking and high quality booklets

Touchscreen graphical user interface for simpler set up and operating

Modular knife exchange and easy to maintain

Key Benefits

Simple to operate

Produces perfectly flat booklets

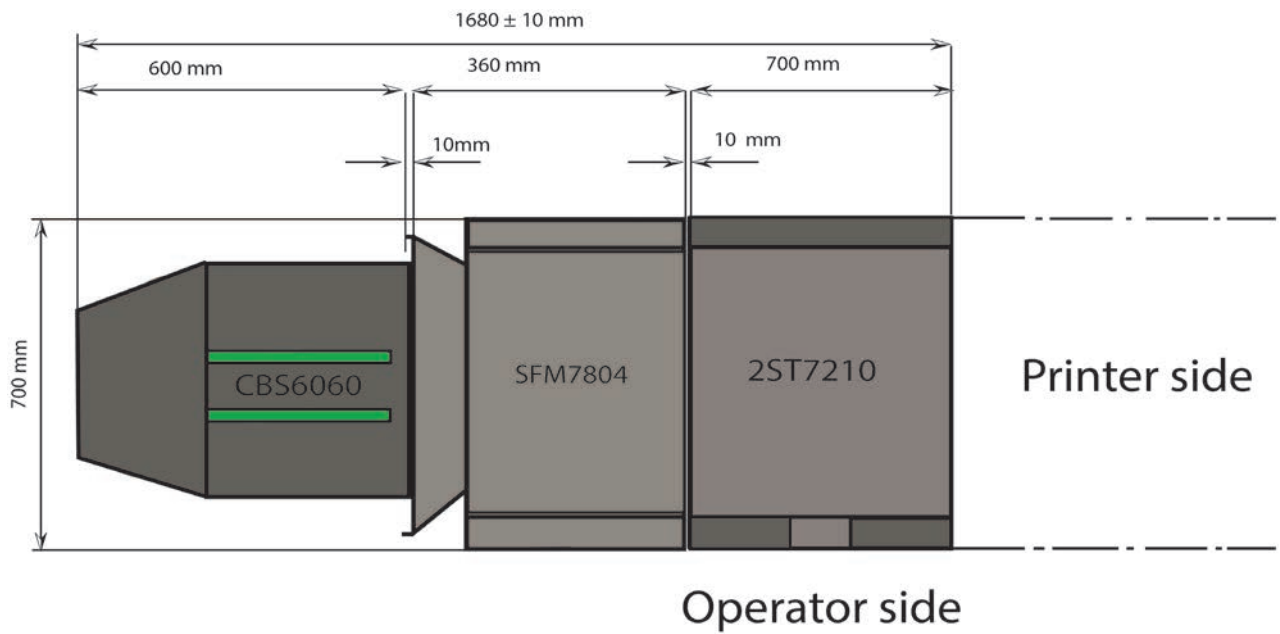
Results in a booklet with a square spine

Printing possible on the spine

4 modes and bypass



Floorplan



The system requires 400 mm of additional floor space at the front and rear side of the machine for installation, operation and maintenance.



Physical Characteristics

	Length (mm)	Width (mm)	Height (mm)	Weight (kg)
HIM5030	300	500	n.a.	4
2ST7210	700	700	1300	220
SFM7804	360	600	1100	65
CBS6060 (short, most used)	600	550	852+/- 35mm	7
CBS6150 (long, option)	1500	550	n.a.	13





Module Configurations

- 2ST7210 2-Side Trimmer module
- SFM7804 SquareFold module
- CBS6060 Conveyor Belt Stacker 60cm
(this is the most common stacker to be sold)
- CBS6150 Conveyor Belt Stacker 150cm
(option)
- HIM5030 Hand Infeed module
(option)



Basic
2ST7210
CBS6060 or CBS6150

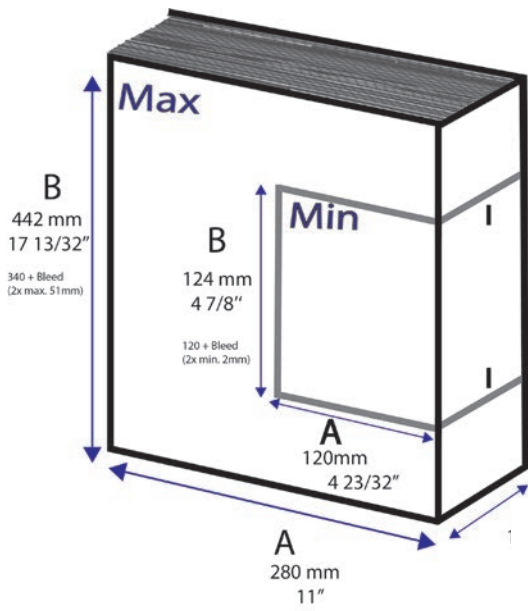


Advanced
2ST7210
SFM7804
CBS6060 or CBS6150

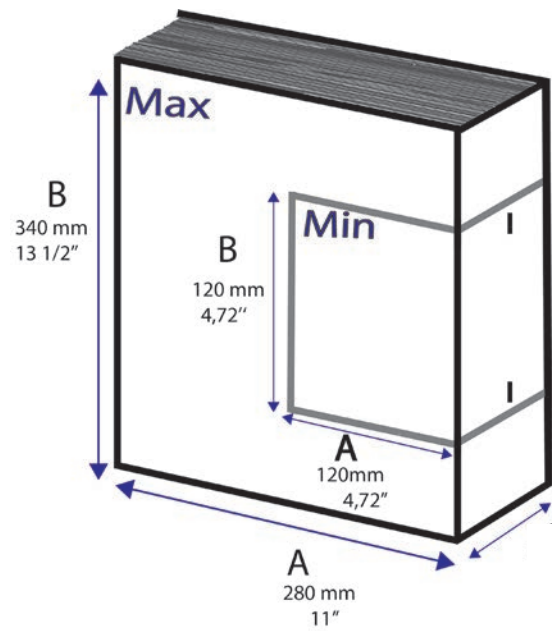


Offline line use
HIM5030
2ST7210
SFM7804
CBS6060 or CBS6150

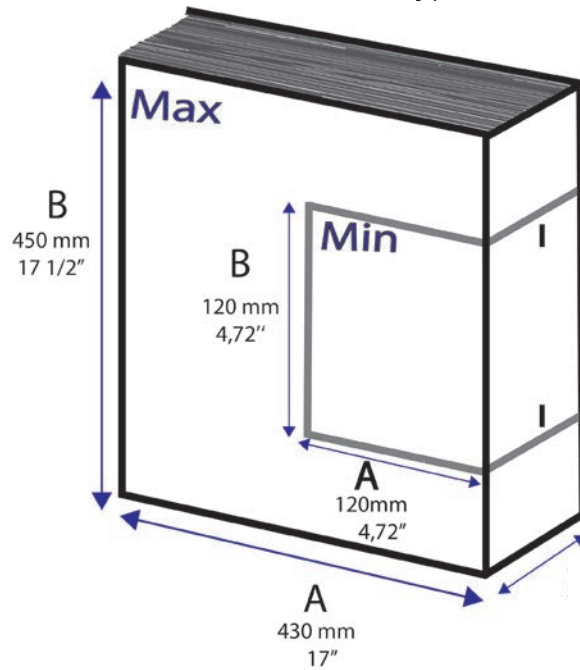
2ST7210 Input Booklet range



2ST7210 Output Booklet range



2ST7210 Bypass



In combination with Canon Booklet Finisher and F1/G1 Booklet Trimmer - 2ST7210 & SFM7804 System: **smallest booklet format is 140mm x 140mm** (printer dependent).

Obtain the
look and feel
of first class booklets!



General Information

System works from right to left

Paper input height approximately: 860mm +/-30mm

Input

Canon imagePRESS series: V910, V1000 and V1350

Canon varioPRINT 140 series QUARTZ Printers equipped with the F1 or G1 Booklet Trimmer

HIM5030 Hand Infeed Module (offline use)

Output

SDD SFM7804 SquareFold Module

You must Select either CBS6060 or CBS6150:

SDD CBS6060 Conveyor Belt Stacker (60 cm) this is the most common stacker to be sold

SDD CBS6150 Conveyor Belt Stacker (150 cm) optional

SquareFold booklet
gives a perfectly
flat finish with
a square spine.

By printing on the spine it is possible to reproduce a professional magazine or book-like finish, which considerably enhances the booklet appearance.



The combination of 2-Side Trimmer and SquareFold Module makes it possible to produce professional-looking, full-bleed, booklets with a square spine. With these two options it is possible to obtain the look and feel of first class booklets! Booklets are perfectly finished: totally flat with a square spine.

By printing on the spine it is possible to reproduce a professional magazine or book-like finish, which considerably enhances the booklet appearance and adds more versatility to booklet making.

Specially designed for high reliability and long production runs.

2-Side Trimmer accepts and trims a booklet with a maximum thickness of 10 mm (approximately a booklet of 50 sheets 80 g/m² paper, depending upon paper quality).



Technical Specifications

Input Booklet size

Min Booklet width (B) EU	124 mm
Min Booklet width (B) US	4 7/8"
Max Booklet width (B) EU	442 mm
Max Booklet width (B) US	17 13/32"
Max Booklet width (A) EU	280 mm
Max Booklet width (A) US	11"
Min Booklet width (A) EU	120 mm
Min Booklet width (A) US	4 23/32"
Booklet thickness	up to 30 sheets 80 g/m ²

Output Booklet size

Min Booklet width (B) EU	120 mm
Min Booklet width (B) US	4 23/32"
Max Booklet width (B) EU	340 mm
Max Booklet width (B) US	13 1/2"
Max Booklet width (A) EU	280 mm
Max Booklet width (A) US	11"
Min Booklet width (A) EU	120 mm
Min Booklet width (A) US	4 23/32"
Booklet thickness	up to 30 sheets 80 g/m ²

Bypass sizes

Min Booklet width (B) EU / US	120 mm / 4 23/32" (with Canon Booklet Finisher 140mm)
Max Booklet width (B) EU / US	450 mm / 17 1/2"
Min Booklet width (A) EU / US	120 mm / 4 23/32" (with Canon Booklet Finisher 140mm)
Max Booklet width (A) EU / US	430 mm / 17"

Maximum paper thickness	300 g/m ²
Minimum paper thickness	60 g/m ²
Bypass	up to 30 sheets 80 g/m ²
Side Trimming	Side trimming 2 mm to 51 mm from top and bottom
SquareFold module	4 modes and bypass
Conveyor Belt Stacker	CBS6060 60 cm (this is the most common stacker to be sold)
Conveyor Belt Stacker	CBS6150 150 cm (optional)
Productivity	up to 1400 booklets per hour (printer speed dependent)
System dimensions	1680 mm complete with short Conveyor Belt Stacker
Power	<0.4 KW (Max.)
Noise level	≤70dB

For booklets from about 15 sheets or more, always use cover sheets from 120 g/m² or higher to prevent possible inconsistencies (such as creases) in the booklet.



SDD B.V.
Brinkerweg 5
8166 GD Emst
The Netherlands

Tel.: +31 (0)578 662 662

www.sddbv.com
info@sddbv.com
service@sddbv.com

SDD B.V. Print Finishing Solutions.
©March 2023 SDD B.V. Illustrations
and specifications do not necessarily
apply to the standard version
of machines in all local markets.
Technical specifications subject
to change without prior notice. All
products mentioned in this brochure
are claimed as trademarks
or registered trademarks of their
respective companies.

We build your
Print Finishing Solutions